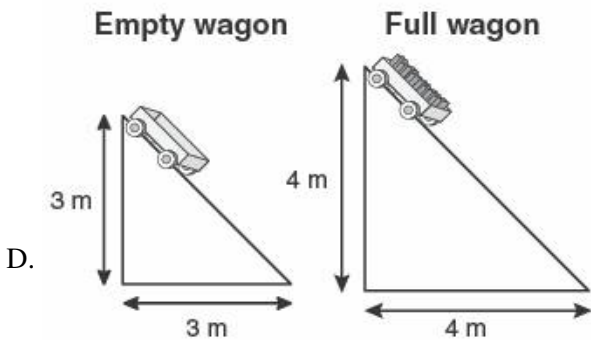
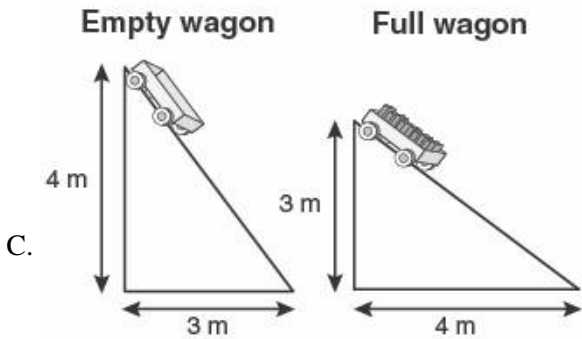
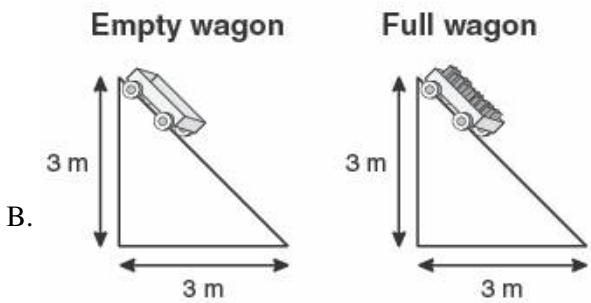
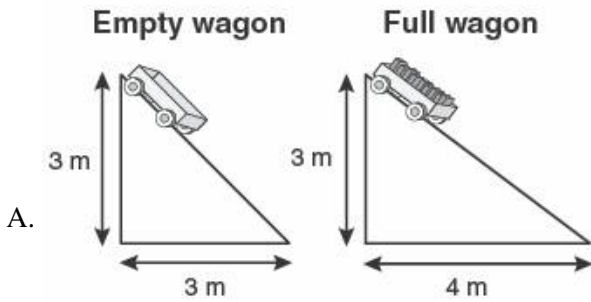


Name: _____

Date: _____

1. A science class wanted to know if an empty wagon and a wagon full of books would roll down a ramp at the same speed. Which ramps should the students build to perform a fair test?



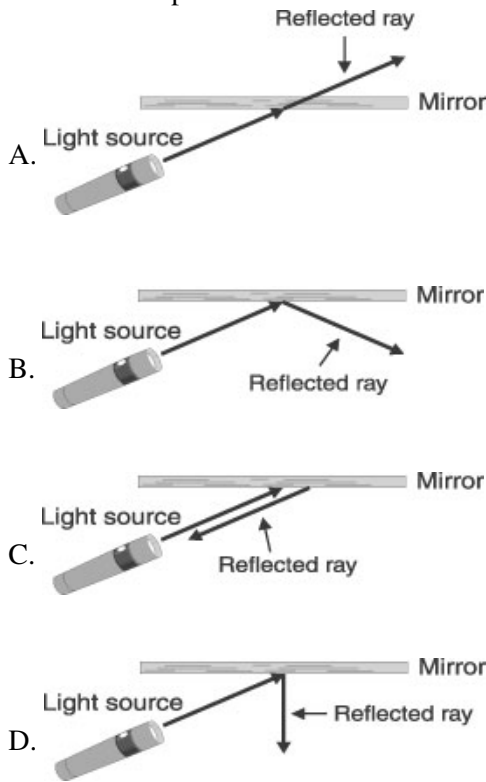
2. Use the picture below to answer this question.



The balance is a simple machine called

- A. a lever.
 - B. a pulley.
 - C. a wheel and axle.
 - D. an inclined plane.
-

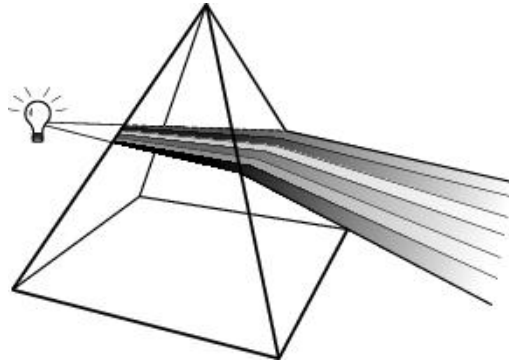
3. Which picture shows the correct reflected light ray?



4. Samuel's mother sent him to bring back a big bag of sand from a sandpile down the street. Which machine should Samuel use to help him do the job?

- A. crowbar
 - B. pulley
 - C. screwdriver
 - D. wheelbarrow
-

5. Light forms a rainbow when it passes through a prism. Why does this happen?



- A. The prism makes the light brighter.
 - B. The prism blocks some of the light.
 - C. The prism focuses the light on a spot.
 - D. The prism bends light in a different direction.
-

6. Jim's family just got a large, heavy box delivered to their house. The box was so heavy that they could not lift it. Jim's dad suggested that they turn a wooden board into a simple machine to make moving the box easier. They moved the board over the stairs and got the box inside easily.



Which kind of simple machine did Jim and his father use to move the box?

- A. a lever
 - B. a wheel
 - C. a pulley
 - D. an inclined plane
-

7. Which sound would probably have the highest pitch?

- A. a balloon popping
 - B. a hammer hitting wood
 - C. an eraser hitting a chalkboard
 - D. a metal rod hitting a musical triangle
-

8. Which simple machine is used to raise the flag on a flagpole?

- A. inclined plane
 - B. lever
 - C. pulley
 - D. wedge
-

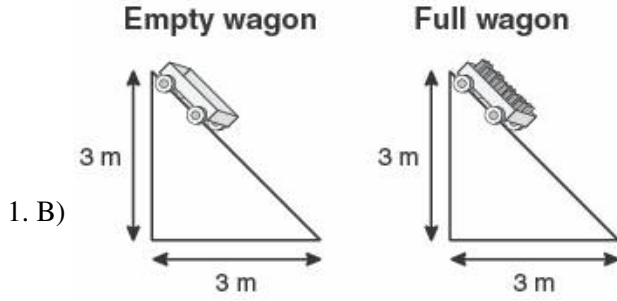
9. Which of these is a simple machine?

- A. a crayon
 - B. a wagon
 - C. a book
 - D. a paper clip
-

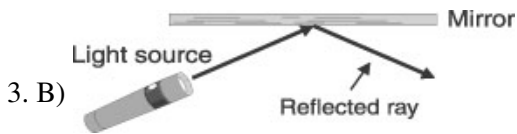
10. Ruth sat on the floor and played with a wooden spoon and a pan. If Ruth hit the pan with the spoon, it would sound most like a

- A. car horn.
- B. crying baby.
- C. drum.
- D. train whistle.

Answer Key



2. A) a lever.



4. D) wheelbarrow

5. D) The prism bends light in a different direction.

6. D) an inclined plane

7. D) a metal rod hitting a musical triangle

8. C) pulley

9. B) a wagon

10. C) drum.